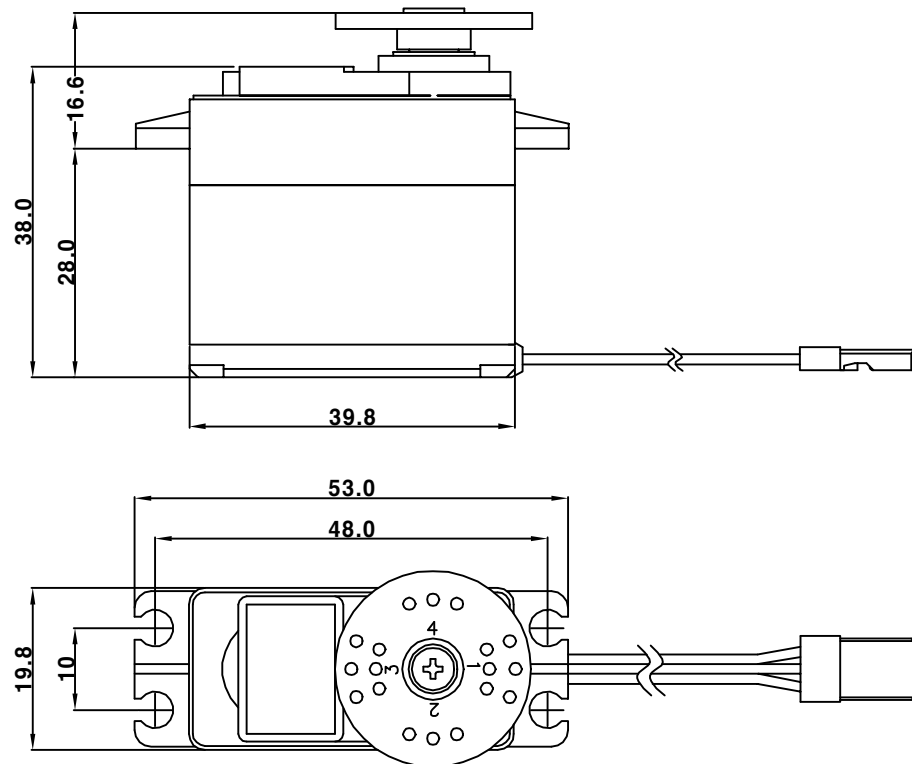


GENERAL SPECIFICATION OF SH-1(HS-485HD)HPI STANDARD SERVO

1. TECHNICAL VALUES

CONTROL SYSTEM	:+PULSE WIDTH CONTROL 1500usec NEUTRAL	
OPERATING VOLTAGE RANGE	:4.8V TO 6.0V	
OPERATING TEMPERATURE RANGE	:-20°C TO +60°C(-4°F TO +140°F)	
TEST VOLTAGE	:AT 4.8V	AT 6.0V
OPERATING SPEED	:0.22sec/60° AT NO LOAD	0.18sec/60° AT NO LOAD
STALL TORQUE	:4.8kg.cm(58.33oz.in)	6kg.cm(69.43oz.in)
IDLE CURRENT	:8mA AT STOPPED	10mA AT STOPPED
RUNNING CURRENT	:180mA/60° AT NO LOAD	200mA/60° AT NO LOAD
STALL CURRENT	:1000mA	1200mA
DEAD BAND WIDTH	:3usec	3usec
OPERATING TRAVEL	:40°/ONE SIDE PULSE TRAVELING 400usec	
DIRECTION	:CLOCK WISE/PULSE TRAVELING 1500 TO 1900usec	
ROTATIONAL LIFE	:10,000cycle MIN/1.3kg.cm LOADED	
GEAR STRENGTH	:7.5kg.cm(104.15oz.in)MIN	
MOTOR TYPE	:CORED METAL BRUSH	
POTENTIOMETER TYPE	:2 SLIDER/DIRECT DRIVE	
AMPLIFIER TYPE	:ANALOG AMPLIFIER WITH TRANSISTOR DRIVER	
DIMENSIONS	:39.8x19.8x38.0mm(1.57x0.78x1.49in)	
WEIGHT	:45g(1.59z)	
GEAR MATERIAL	:KARBONITE RESIN	
HORN GEAR SPLINE	:24 SEGMENTS/∅5.76	
SPLINED HORNS	:REGULAR/R-C,R-D,R-I,R-O,R-X	
CONNECTOR WIRE LENGTH	:300mm(11.81in)	
CONNECTOR WIRE STRAND COUNTER	:40EA	
CONNECTOR WIRE GAUGE	:25AWG	
CONNECTOR HOUSING TYPE	:S-01	



2. FEATURES

- STANDARD SIZED
- ANALOG
- HEAVY DUTY KARBONITE GEARS

3. APPLICATIONS

- POPULAR MODELS